



FEATURES

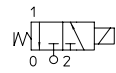
- ▶ Threaded exhaust connection
- ▶ Reliable performance
- ▶ Suitable with triple certification UL, CSA, VDE
- ▶ High flow

TECHNICAL SPECIFICATION

- ▶ **Body material:** Brass UNI EN 12165 CW617N
- ▶ **Armature tube:** Stainless Steel AISI 300 series
- ▶ **Plungers:** Stainless Steel AISI 400 series
- ▶ **Spring:** Stainless Steel AISI 300 series
- ▶ **Media:** mineral oils, gasoline, diesel, air, inert gases, water, steam, fuel oils, hot water,
- ▶ **Ambient temperature:** See coils catalogue page for its compatibility
- ▶ **Fluid temperature:** -10°C +140°C with FKM seals
-40°C +180°C with RUBY seals
- ▶ **Design pressure PS:** 40 bar
- ▶ **Protection class:** IP 65 (complete with electric plug)
- ▶ **Electrical conformity:** IEC 335
- ▶ **Switching time:** 20-40 msec

AVAILABLE ON REQUEST

- ▶ Also available with low lead brass for food grade
- ▶ The use of rigid sealings usually implies a slight leakage, limited within 2scc/min at the pressure of 1 bar.
- ▶ Explosion proof coil Ex nA (see Atex section)
- ▶ Latching coil (See coil section)



31A	3	A	R	15		B	D	A	08	024	A	S
Model valve	3= G 1/8 2= G 1/4	A= N.C.	R= RUBY	10	Orefice 10 ⁻¹ mm	B= 30mm Ø 13	D EN 175301-803	A= Class F	08= 8W	024= 24V	A= AC	S= Without Approval
			V= FKM	15				V= Class H		110= 110V-120V	C= DC	Y= UL, CSA, VDE
				20						223= 220V-230V	D= AC	

PIPE	Ø (mm)	Kv (l/min)	MAX VISCOSITY cSt (°E)	PRESSURE min	PRESSURE MAX MOPD (bar)						GAS CODE	NPT CODE	DRAWING REFERENCE
					COIL TYPE								
					AC			DC					
					B	U	G	B	U	G			

Normally Closed

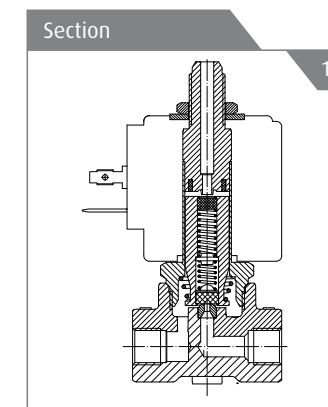
G 1/8	1(*)	0,45	12(2)	0	20			20				31A3AR10	1
	1,5(*)	1,4	12(2)	0	15			15				31A3AR15	1
	2(*)	2	37(5)	0	10			10				31A3AR20	1
	2,5(*)	3,2	53(7)	0	6			6				31A3AR25	1
	1(*)	0,45	12(2)	0	20			20				31A3AV10	1
	1,5(*)	1,4	12(2)	0	15			15				31A3AV15	1
	2(*)	2	37(5)	0	10			10				31A3AV20	1
	2,5(*)	2,5	53(7)	0	6			6				31A3AV25	1
	3(*)	4	53(7)	0	5			5				31A3AV30	1
	1,5(*)	1,4	12(2)	0	15			15				31A3CV15	1
	1(*)	0,8	12(2)	0	18			18				31A3GV10-U	1
	1,5(*)	1,4	12(2)	0	10			10				31A3FV15-U	1
	2,5(*)	3,2	53(7)	0	4			4				31A3AV25-U	1
	G 1/4	3(*)	4	53(7)	0	3,5			3,5				31A3EV30-U
1(*)		0,45	12(2)	0	20			20				31A2AR10	1
1,5(*)		1,4	12(2)	0	15			15				31A2AR15	1
2(*)		2	37(5)	0	10			10				31A2AR20	1
2,5(*)		3,2	53(7)	0	6			6				31A2AR25	1
1(*)		0,45	12(2)	0	20			20				31A2AV10	1
1,5(*)		1,4	12(2)	0	15			15				31A2AV15	1
2(*)		2	37(5)	0	10			10				31A2AV20	1
2,5(*)		3,2	53(7)	0	6			6				31A2AV25	1
3(*)		4	53(7)	0	5			5				31A2AV30	1
1(*)		0,8	12(2)	0	18			18				31A2GV10-U	1
1,5(*)		1,4	12(2)	0	10			10				31A2FV15-U	1
2,5(*)		3,2	53(7)	0	4			4				31A2AV25-U	1
3(*)		4	53(7)	0	3,5			3,5				31A2EV30-U	1
2(*)	2	37(5)	0	7			7				31A2FV20-U	1	

(*) 3rd way exhaust= 31A-GV Ø 1mm, 31A-FV Ø 1,5mm, 31A-AR Ø 2,5mm, 31A-AV Ø 2,5mm, 31A-EV Ø 2,5mm

Suffix description: 31A3GV10-U

-U	Universal valve
----	-----------------

Possible to flow in any valve direction respecting the inox pressure mentioned in the table above



REPAIR KIT
Normally Closed
KT130AR30-A
KT130AR30-AR
KT130CU30-A
KT130AU30-A

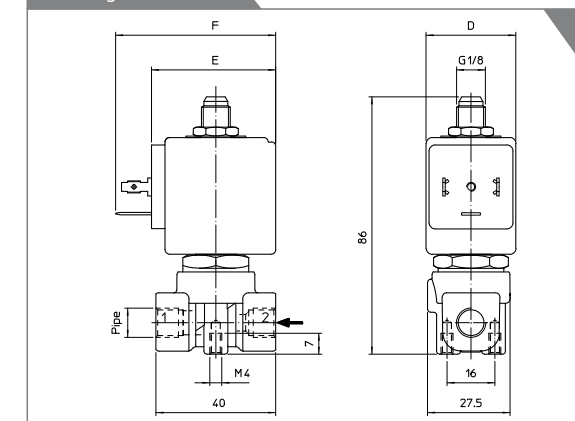
RELATED ITEMS

- ▶ P990305: Electrical plug EN 175301-803 Pg9
- ▶ P990306: Electrical plug EN 175301-803 Pg11
- ▶ P992126: Electrical plug EN 175301-803 Pg9 (with OR screw)
- ▶ P992127: Electrical plug EN 175301-803 Pg11 (with OR screw)
- ▶ P992128: Electrical plug EN 175301-803 cable 2 wires, 53cm
- ▶ R452714: Antihumidity kit (up to IP67 protection together with plugs P992126, P992127; P992128 & H coils class)
- ▶ P992087: Timer for automatic switch

INSTALLATION

- ▶ The solenoid valves can be mounted in any position
- ▶ Holes and threaded connections for panel fixing
- ▶ Other port connections available on request
- ▶ Maintenance and instruction sheet available in each solenoid valve box
- ▶ Availability of repair kit and coils as spares

Drawing Reference



Dimensionale Table

Figure	Coil Type	D mm	E mm	F mm
1	B	30	42	54

