



# Solenoid valve 2/2 way N.C. Direct acting

21L2K1V25  
÷  
21L2K1V55

## PRESENTATION:

Direct acting S.V. for interception of fluids compatible with the construction materials.

Minimum operational pressure is not required.

The materials used and the tests carried out ensure maximum reliability and duration.

**USE:** Chemistry  
Drinks

**PIPES:** G 1/4

**COILS:**

8W - Ø 13	
BDA - BSA	155°C (class F)
BDV	180°C (class H)
12W - Ø 13	
UDA	155°C (class F)
14W - Ø 13	
GDH - GDV	180°C (class H)

**COIL HOUSING AND COIL FORMER MATERIAL ARE  
MADE BY 100% VIRGIN MATERIAL.**

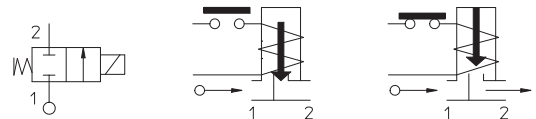
Max. allowable pressure (PS) 40 bar

Ambient temperature:

See coils catalogue page for its compatibility.



Gaskets	Temperature		Medium
V=FKM (fluoroelastomer)	- 10°C	+ 140°C	Demineralized water, syrups, chemical products compatible with stainless steel



Pipe ISO 228/1	Code	Max viscosity		Ø mm	Kv l/mn	Power watt	Pressure		
		cSt	°E				min bar	M.O.P.D. AC bar DC bar	
G 1/4	21L2K1V25	53	~ 7	2,5	3,2	8	0	14	9
						12		30	25
						14		10	6
	21L2K1V30				8	25		18	
					12	20			
					14	6		1,7	
	21L2K1V40			8	15	6			
				12	8				
				14	3,5	1			
	21L2K1V55			8	7	2,5			
				12	10	5			
				14					

The "ODE" reserves the right to carry out technical and aesthetic modifications without prior notice.

### MATERIALS:

<b>Body</b>	Stainless steel AISI 316
<b>Armature tube</b>	Stainless steel AISI series 300
<b>Fixed core</b>	Stainless steel AISI series 400
<b>Plunger</b>	Stainless steel AISI series 400
<b>Phase displacement ring</b>	Gold plated copper
<b>Spring</b>	Stainless steel AISI series 300
<b>Seal</b>	V=FKM
<b>Orifice</b>	Stainless steel AISI 316

### On request:

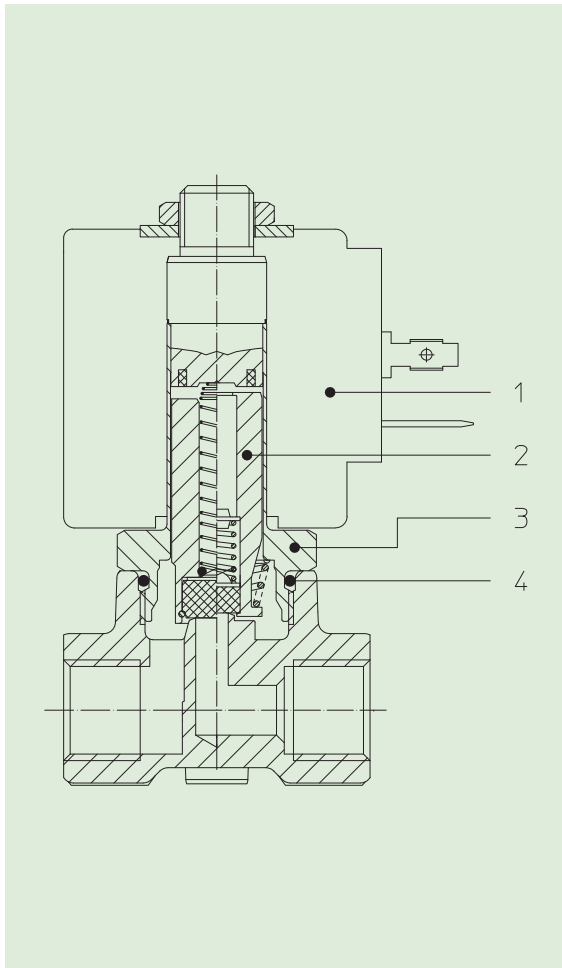
<b>Connector</b>	Pg 9 or Pg 11
<b>Connector conformity</b>	ISO 4400

### FEATURES:

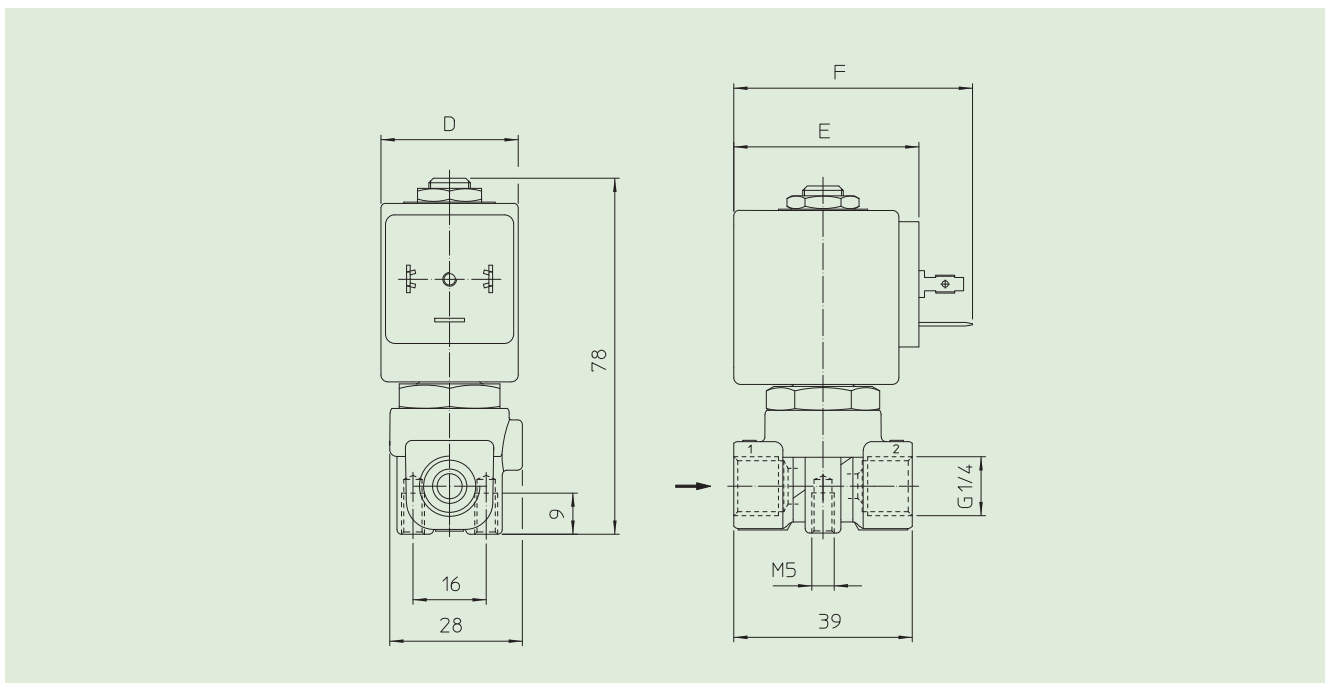
<b>Electrical conformity</b>	IEC 335
<b>Protection degree</b>	IP 65 EN 60529 (DIN 40050) with coil fitted by connector.

### SPARE PARTS:

<b>1. Coil:</b>	See coils list	<b>KIT:</b>
<b>2. Complete plunger:</b>	For orifice $\leq 3$ mm Code R450886/V For orifice $> 3$ mm Code R450898/V	Orifice $\leq 3$ mm KT130KV30-H=2+3+4 Orifice $> 3$ mm KT130KV55-H=2+3+4
<b>3. Complete armature tube:</b>	Code R450811	
<b>4. Gasket O-Ring:</b>	Code R990000/V	



### DIMENSIONS:



COIL TYPE	POWER ABSORPTION			DIMENSIONS		
	W =	Hold VA ~	Inrush VA ~	D mm	E mm	F mm
B	8	14,5	25	30	42	54
U	12	23	35	36	48	60
G	14	27	43	52	55	67