

On demand also available with UL approval and for quantity



CODE P990305 ÷ P990306
COMPATIBLE COILS: BD.. - GD.. - UD
CODE P990307
COMPATIBLE COILS: LB..

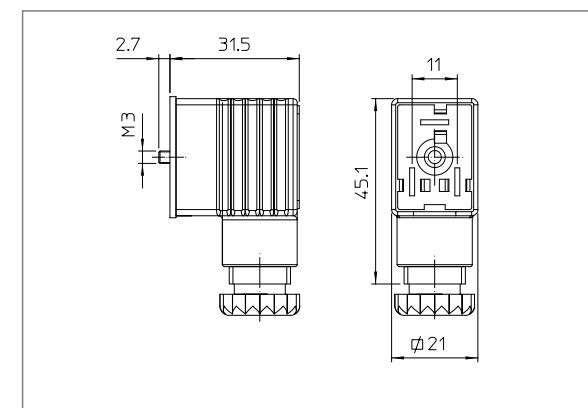
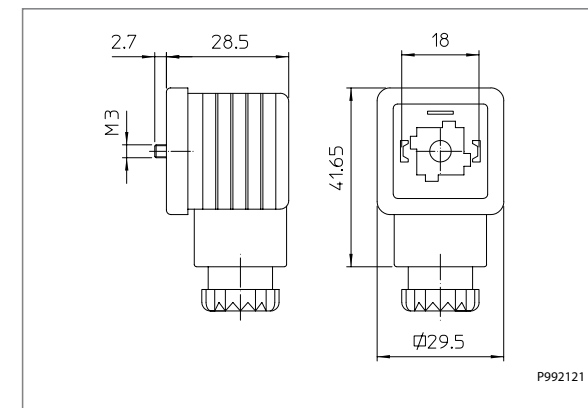
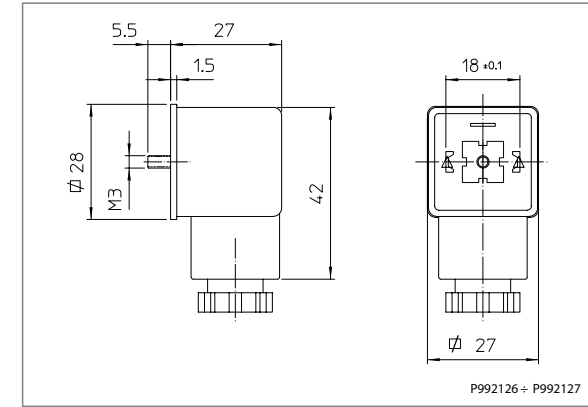
SPARE PARTS:
Standard: EN 175301-803
Number of contacts: 2 + ⊕

Supply voltage: AC max 250V
 DC max 300V

Operating current: 10 A
Max current: 16 A
Contact resistance: ≤4 mOhm
Max conductor section: 1,5 mm²
Housing: PA (Polyamide)

Cable entry:
 Code P990305 Pg 09
 Code P990307 Pg 09
 Code P990306 Pg 11
Cable diameter: Pg 09 (6÷8 mm)
 Pg 11 (8÷10 mm)

Protection class: IP 65 EN 60529
Insulation class: VDE 0110-1/89
Sealing: NBR -40°C +90°C



CODE 992126 ÷ P992127
COMPATIBLE COILS: BD.. - GD.. - UD

SPARE PARTS:
Standard: EN 175301-803
Number of contacts: 2 + ⊕

Supply voltage: AC max 250V
 DC max 300V

Operating current: 10 A
Max current: 16 A
Contact resistance: ≤4 mOhm
Max conductor section: 1,5 mm²
Housing: PA (Polyamide)


Cable entry:
 Code P992126 Pg 09
 Code P992127 Pg 11
Cable diameter: Pg 09 (6÷8 mm)
 Pg 11 (8÷10 mm)

Protection class: IP 67 EN 60529
Insulation class: VDE 0110-1/89
Sealing: NBR -40°C +90°C

CODE 992121
COMPATIBLE COILS: BD.. - GD..

SPARE PARTS:
Standard: EN 175301-803
Number of contacts: 2 + ⊕

Supply voltage: Max 250V
Operating current: 10 A
Max current: 16 A
Contact resistance: ≤4 mOhm
Max conductor section: 1,5 mm²
Housing: PA (Polyamide)
Cable entry: Pg 09 - Pg 11
Cable diameter: 6÷10 mm
Protection class: IP 65 EN 60529
Sealing: NBR -40°C +90°C

 Ex d (Conforme to Atex Directive 94/9/CE ATEX) I I 3GD

CODE 992257
COMPATIBLE COILS: LB..

SPARE PARTS:
Standard: EN 175301-803
Number of contacts: 2 + ⊕

Supply voltage: Max 250V
Operating current: 10 A
Max current: 16 A
Contact resistance: ≤4 mOhm
Max conductor section: 1,5 mm²
Housing: PA (Polyamide)
Cable entry: Pg 09
Cable diameter: 6÷10 mm
Protection class: IP 65 EN 60529
Sealing: WMQ -40°C +90°C

 Ex d (Conforme to Atex Directive 94/9/CE ATEX) I I 3GD