



LBA Coil housing material: PA - Black polyamide - class F (155°C)
LBF Coil housing material: PPS - Black poliphenylensulphide - class H (180°C)
LBV Coil housing material: PET - Black Polyethylene - class H (180°C)
 Winding: In class H
 Electrical connections: With connector EN 175301-803 whellbase 11
 Protection degree IP 65 EN 60529 (DIN 40050)

NOMINAL VOLTAGES TOL ERANCES: DC +10% -5%; AC +10% -15%



CODE	POWER [VA]		VOLTAGE [V]	FREQUENCY [Hz]	ED [%]	AMBIENT TEMPERATURE	APPROVALS	DRAWING REFERENCE
	Inrush	Holding						

AC Coils

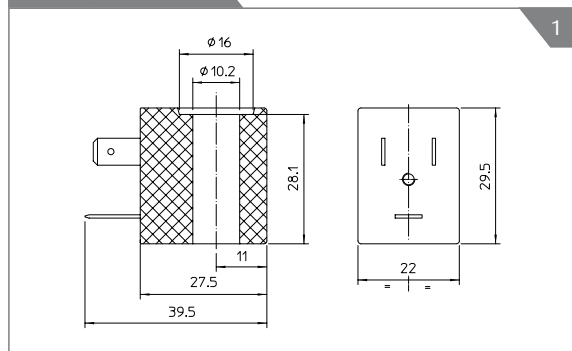
LBA05024AS	10	15	24 ~	50	100	-10°C +40°C	CE	1
LBA05230AS	10	15	230 ~	50	100	-10°C +40°C	CE	1
LBF05024BU	10	15	24 ~	60	100	-10°C +40°C	CE - UL	1
LBV05024AV	11,5	15	24 ~	50	100	-20°C +60°C	CE - VDE	1
LBV05024BW	12,5	15	24 ~	60	100	-20°C +60°C	CE - UL - CSA	1
LBV05110AY	10	15	100 ~ 120 ~	50 60	100	-20°C +60°C	CE - UL - CSA - VDE	1
LBV05110BU	13,5	15	110 ~	60	100	-20°C +40°C	CE - UL	1
LBV05220BU	13,5	15	220 ~	60	100	-20°C +40°C	CE - UL	1
LBV05230AY	11,5	15	230 ~ 240 ~	50 60	100	-20°C +60°C	CE - UL - CSA - VDE	2

CODE	POWER [W]	VOLTAGE [V]	ED [%]	AMBIENT TEMPERATURE	APPROVALS	DRAWING REFERENCE
------	-----------	-------------	--------	---------------------	-----------	-------------------

DC Coils

LBA050024CS	5	24 ==	100	-10°C +40°C	CE	1
LBV05024CY	7	24 ==	100	-20°C +60°C	CE - UL - CSA - VDE	1
LBV08024HU	10	24 ==	50 (1)	-20°C +40°C	CE - UL	1

Drawing Reference



(1) Standard cycle time 1 minute, for different requirements please contact our Customer Service. Other voltages and power absorptions available on demand and for quantities.

