

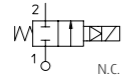


**FEATURES**

- ▶ Wide range of application high flow valves for liquids, gaseous
- ▶ Hazardous environment
- ▶ Small poppet valve for tight shutoff
- ▶ Mountable in any position
- ▶ Dedicated to CPT Market

**TECHNICAL SPECIFICATION**

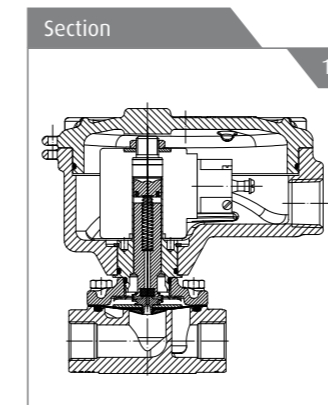
- ▶ **Body material:** Stainless Steel AISI 316
- ▶ **Armature tube:** Stainless Steel AISI 316
- ▶ **Plungers:** Stainless Steel AISI 400 Series
- ▶ **Spring:** Stainless Steel AISI 300 Series
- ▶ **Ex d Housing in Aluminium die cast**
- ▶ **Media:** air, inert gases, water, mineral oils, gasoline, diesel
- ▶ **Housing ambient temperature:** -40°C +60°C
- ▶ **Fluid temperature:** -10°C +80°C with NBR seals  
-10°C +80°C with FKM seals
- ▶ **Design pressure PS:** 16 bar
- ▶ **Protection class:** IP65 (with hosing fitted by cable gland Atex Ex d)
- ▶ **Electrical conformity:** IEC335  
(Conforme to Atex Directive 94/9/CE ATEX)  
II 2G Ex d IIC T6 o T5 Gb  
II 2D Ex tb IIIC T80° o T95°C Db IP67  
(Tamb: -40°C ≤ +60°C)



21IH	3	KI	V	150		B	D	A	08	012	C	S
Model valve	3= G 3/8 - 3/8 NPT	KI= N.C.	V= FKM	150 160 200 250	Orefice 10 <sup>-1</sup> mm	B= 30mm Ø 13	D EN 175301-803	A= Class F	08= 8W	012= 12V	C= DC	S= Without Approval(*)
	4= G 1/2 - 1/2 NPT	B= NBR	024= 24V							D= AC		
	5= G 3/4 - 3/4 NPT		048= 48V									
	6= G 1 - 1 NPT		110= 110V									
										223= 220V-230V		

(\*) Ex d protection class when assembled with Ex housing

PIPE	Ø (mm)	Kv (l/min)	MAX VISCOSITY cSt (°E)	PRESSURE min	PRESSURE MAX MOPD (bar)				GAS CODE	NPT CODE	DRAWING REFERENCE
					COIL TYPE						
					AC		DC				
G 3/8 3/8 NPT	15	40	12(2)	0	14		6		21IH3KIV150	21IN3KIV150-IH	1
G 1/2 1/2 NPT	16	50	12(2)		14		6		21IH4KIV160	21IN4KIV160-IH	1
G 3/4 3/4 NPT	20	60	12(2)		14		6		21IH5KIV200	21IN5KIV200-IH	1
G 1 1 NPT	25	140	12(2)		14		3		21IH6KIV250	21IH6KIV250-IH	1



**REPAIR KIT**

For spare parts please consult our technical department

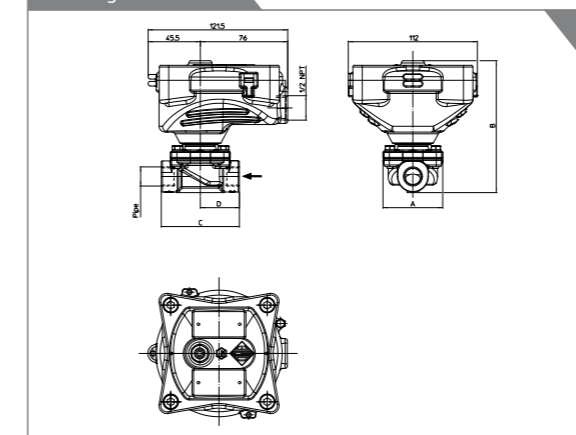
**ACCESSORIES**

Code P992219 Cable Gland (to be ordered separately)

**INSTALLATION**

- ▶ The solenoid valves can be mounted in any position
- ▶ Other port connections available on request
- ▶ Maintenance and instruction sheet available in each solenoid valve box
- ▶ Attention: for fuse selection please refer to the "Instruction sheet Atex products" delivered together with the valve
- ▶ Availability of repair kit and coils as spares.

**Drawing Reference**



**Dimensionale Table**

Figure	Pipe	A mm	B mm	C mm	D mm
1	G 3/8 3/8 NPT	52	114,5	68	34
	G 1/2 1/2 NPT				
	G 3/4 3/4 NPT	58	123	75	37,5
	G 1 1 NPT	65	131	90	45

