



FEATURES

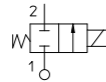
- ▶ Totally separation valve
- ▶ Reliable solution for hot water application
- ▶ Flow regulation for hot water control
- ▶ 90° shape for compact installation
- ▶ Directly connected to the boiler
- ▶ Reliable switch on-off time for accurate dispensing
- ▶ Modular system for multiple valve manifold
- ▶ NSF approved version

TECHNICAL SPECIFICATION

- ▶ **Body material:** PSU (Polysulphone)
- ▶ **Armature tube:** Brass - UNI EN 12164 CW614N
- ▶ **Plungers:** Stainless Steel AISI 400 series
- ▶ **Spring:** Stainless Steel AISI 300 series
- ▶ **Media:** water
- ▶ **Ambient temperature:** See coils catalogue page for its compatibility
- ▶ **Fluid temperature:** +2°C +100°C with VMQ seals

AVAILABLE ON REQUEST

- ▶ **Manifold:** (Please see key code for complete part numbering and for manifold construction)

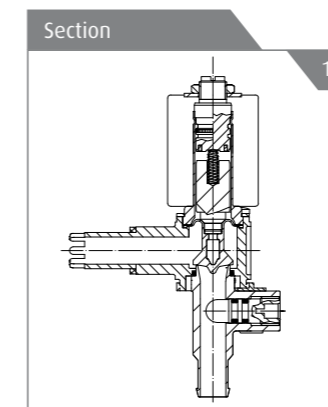


21D72	CONNECTION	KR	S	90	
Model valve	Ø= 12 See connection types overleaf (A-B-D-I-L-R)	KR= N.C. RR= N.C.	S= VMQ	90	Orefice 10'1mm

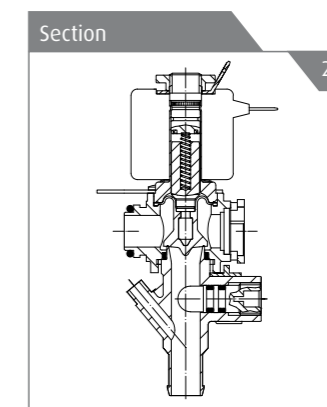
B	D	A	08	024	A	S
B= 30mm Ø 13	D EN 175301-803	A= Class F	08= 8W	024= 24V 110= 110V 223= 220V-230V	A= AC C= DC	S= Without Approval
I	C	A	12	024	E	S
I= 28mm 12 W	C= 2 faston	A= Class F	12= 12W	024= 24V 110= 110V 223= 220V-230V	E= 50% H= 50%	S= Without Approval

PIPE	Ø (mm)	Kv (l/min)	MAX VISCOSITY cSt (°E)	PRESSURE min	PRESSURE MAX MOPD (bar)				GAS CODE	NPT CODE	DRAWING REFERENCE
					COIL TYPE						
					AC		DC				
B	I	B	I								
Ø 12	9	*	-	0	0,3		0,3		21D72KRS90-L		1
Ø 12	9	*	-	0	0,3		0,3		21D72KRS90-M		1
Ø 11	9	*	-	0	0,3		0,3		21D72KRS90-R		1
Ø 12	9	*	-	0	0,3		0,3		21D72RRS90-L		2
Ø 12	9	*	-	0	0,3		0,3		21D72RRS90-M		2
Ø 11	9	*	-	0	0,3		0,3		21D72RRS90-R		2
See connection types overleaf (A-B-D-I-L-R)	9	*	-	0	0,3		0,3		21K72KRS90-000	N/A	3
	9	*	-	0	0,3		0,3		22K72KRS90-000		3
	9	*	-	0	0,3		0,3		23K72KRS90-000		3
	9	*	-	0	0,3		0,3		24K72KRS90-000		3
	9	*	-	0	0,3		0,3		25K72KRS90-000		3
	9	*	-	0	0,3	0,3	0,3	0,3	26K72KRS90-000		3
	9	*	-	0	0,3		0,3		21K72RRS90-000		2
	9	*	-	0	0,3		0,3		22K72RRS90-000		2
	9	*	-	0	0,3		0,3		23K72RRS90-000		2
	9	*	-	0	0,3		0,3		24K72RRS90-000		2
9	*	-	0	0,3		0,3		25K72RRS90-000		2	
9	*	-	0	0,3		0,3		26K72RRS90-000		2	

* FLOW RATE WITH HEAD OF 80mm= 2,5 l/min.



REPAIR KIT KR130KRS90-L3



REPAIR KIT KR100RS90-L2

INSTALLATION

- ▶ Maintenance and instruction sheet available in each solenoid valve box
- ▶ The valves can be connected directly on the boiler

